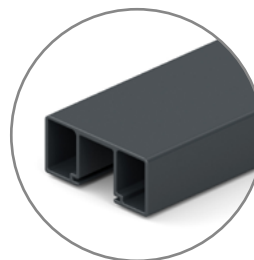
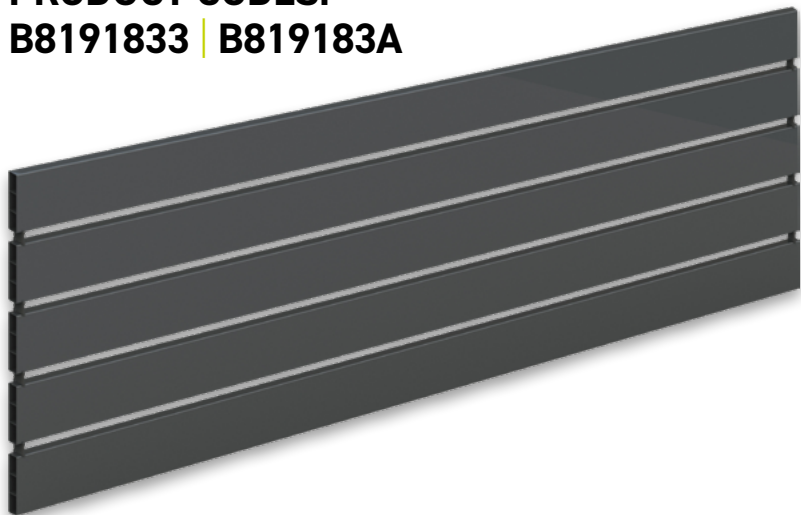


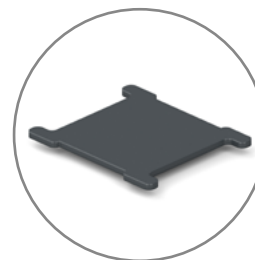
DuraPost HORIZON[®] ALUMINIUM SCREEN PANEL

PRODUCT CODES:

B8191833 | B819183A



'Infill Profiles'
(B8201833 & B820183A)



'Spacer'
(B8200003 & B820000A)

DESCRIPTION

The DuraPost HORIZON[®] range is a new, contemporary fencing solution; high quality, modern, easy-to-install, modular fences.

DuraPost HORIZON[®] 'Screen' panels are a modern take on classic slatted panels. Supplied in packs of 5 x 100mm boards, a single bay can be quickly erected between 'Classic' DuraPost[®] steel posts, fitted to traditional timber posts or even slotted into existing concrete fence posts..

DuraPost HORIZON[®] Panels are fitted using an aluminium 'Infill Profile' (product code: B8201833/B820183A – pack of 3 infill lengths). These are used to fit the panels inside the DuraPost[®] 'H' profile, or may be fitted directly to DuraPost[®] Gate/Corner Posts or even timber posts.

For fitting instructions, see page 2.

CONSTRUCTION

DuraPost HORIZON[®] Screen panels are extruded from aluminium and powder coated using Jotun Facade paint and Qualicoat Class 1 approved priming and coating specification.

WHAT DO I NEED TO BUILD MY FENCE?

- When fitting with DuraPost[®] fence posts, you will need to calculate 1 post per bay, plus 1 more at the end of the run. Panel fixings and spacers are sold separately.
- If fitting to DuraPost[®] Gate/Corner Posts, the infill lengths may be screwed directly to the post, or may be secured inside a U-Channel.

FENCE HEIGHT	PRODUCTS NEEDED (PER BAY)	
	BLACK	ANTHRACITE GREY
6ft (1800mm)	3 x B8191833 1 x B8201833	3 x B819183A 1 x B820183A
4ft (1200mm)	2 x B8191833 1 x B8201833	2 x B819183A 1 x B820183A

FIXINGS

PRODUCT	FIXINGS	
	BLACK	ANTHRACITE GREY
Fixings Pack	B8180023	B818002A
Spacers (40 spacers required per 6ft panel)	B8200003 (10 per pack)	B820000A (10 per pack)

FITTING INSTRUCTIONS

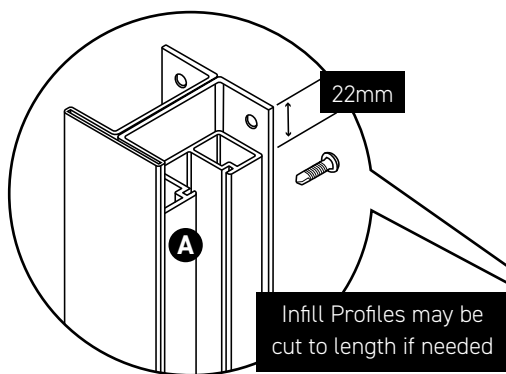
DuraPost HORIZON® ALUMINIUM SCREEN PANEL

PRODUCT CODES: B8191833 | B819183A

1

FIT 2 x INFILL PROFILES (A) INSIDE CLASSIC DuraPosts® (C). LEAVE 22mm OF POST ABOVE PROFILE.

FIXINGS: 2no x 16mm PAN HEAD SELF DRILL SCREWS PER PROFILE



2

PLACE PANELS (B) IN BETWEEN INFILL PROFILES. USE THE SPACERS TO SEPARATE THE BOARDS.

FIXINGS: 30no. 32mm PAN HEAD SELF DRILL SCREWS PER PANEL

3

FIX REMAINING INFILL PROFILE (A) TO TOP OF FENCE.

FIXINGS: 2 x 16mm PAN HEAD SELF DRILL SCREWS

If fitting DuraPost HORIZON® Screen Panels between timber posts: fix infill profiles (A) directly to the timber post – pre-drill the aluminium and fix with appropriate timber screws.

If fitting DuraPost HORIZON® Screen Panels between concrete posts, pre-fix the infill profiles to the panels, and drop into place.



Please scan me to watch an instruction video

FENCE HEIGHT	PRODUCTS NEEDED (PER BAY)*	
	BLACK	ANTHRACITE GREY
6ft (1800mm)	3 x B8191833 (B)	3 x B819183A (B)
	1 x B8201833 (A)	1 x B820183A (A)
	3 x B8200003 (C)	3 x B820000A (C)
4ft (1200mm)	2 x B8191833 (B)	2 x B819183A (B)
	1 x B8201833 (A)	1 x B820183A (A)
	2 x B8200003 (C)	2 x B820000A (C)

* To be fitted between 'Classic' DuraPosts® (C)
Each fence bay should allow for 1 post + 1 more at end of run.

WHAT FIXINGS DO I NEED		
PRODUCT	FIXINGS	
	BLACK	ANTHRACITE GREY
DuraPost HORIZON® panel fixing pack	B8180023	B818002A

